

LOBO Tool Tray

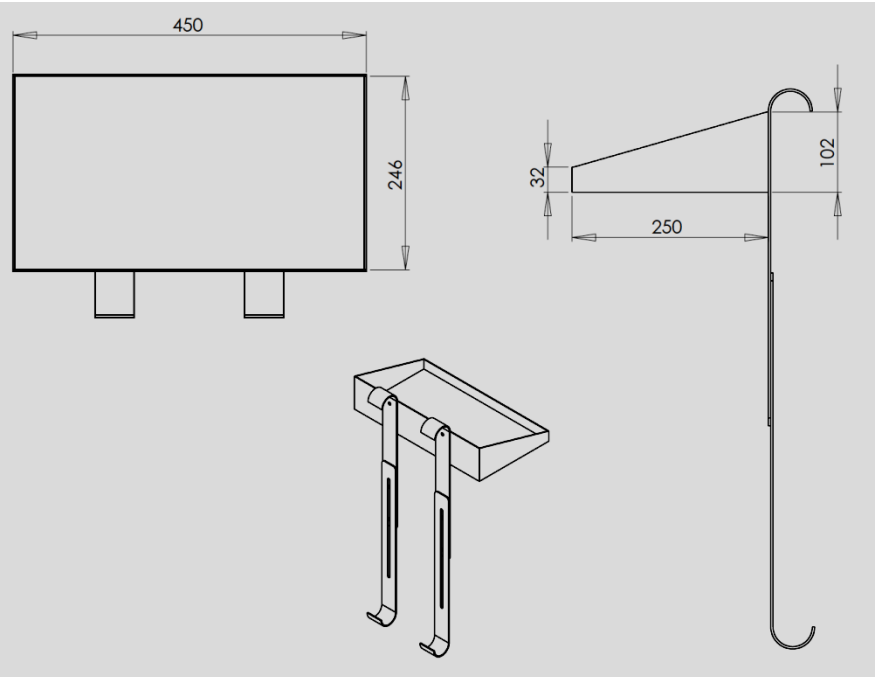
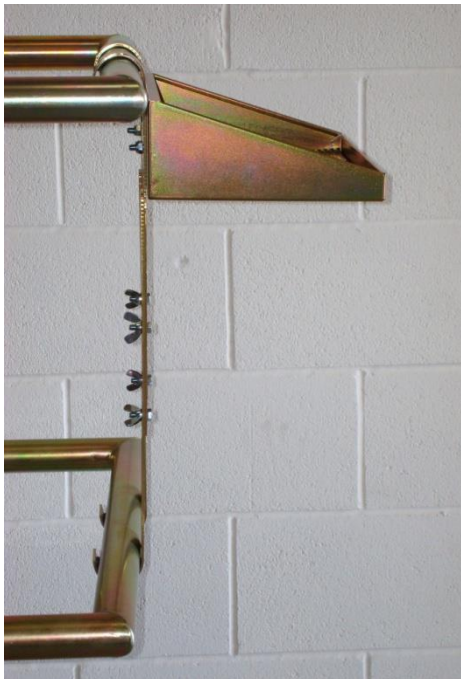


The Tool Tray is a portable tool shelf which can be attached anywhere on the LOBO System or Hop Up.

It is made from steel and has a rubber insert mat for protection.

Fully adjustable and robust, with a weight rating of 10Kg or 22 lbs.

It is ideal for maintenance engineers and tradesmen.



www.lobosystems.com

Conformities

EU: BS EN1004:2004 BS 1139 parts 3 & 4,



USA: OSHA Compliant, ANSI A10.8, 29 CFR Part 1920 (General Industry)

Canada: CAN/CSA Z797-09 & S269.2

Australia: AS/NZS 1576.1:2010 and AS/NZS 1576.3:2015 Tower