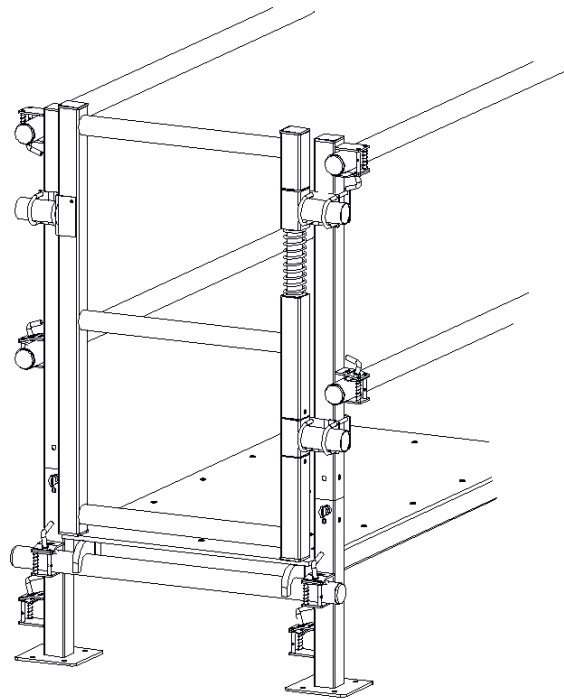


## The LOBO Systems Gate



The LOBO Gate is a brand new product from LOBO Systems that adds safety to your already existing LOBO Tower System. It can be attached to the vertical side using Lobands, to provide a self closing gate. A side-stop is then attached to prevent the gate from opening outwards, reducing the risk of accidents due to falling.

The LOBO Gate is designed to fit as a doorway across any 600mm wide Loboard. It is sprung-loaded so that it will automatically close after being opened. The gate is free to swing in both directions, allowing you to attach a gate to fit your bespoke requirements.



The LOBO Gate can be attached very easily to your LOBO Tower, using nothing more than three Lobands: Ensure the gate is the right way up Use two Lobands to attach the gate to the Adjustable Extension, Extension or Handrail Insert.

Use one Loband to fit the side-stop to stop the gate from opening outwards from the LOBO System, reducing the risk of fall.

[www.lobosystems.com](http://www.lobosystems.com)

**Conformities**

EU: BS 1139 parts 3 & 4, BS EN1004:2004

USA: OSHA Compliant, ANSI A10.8, 29 CFR Part 1920 (General Industry)

Canada: S269.2 Access for construction purposes

Australia: AS/NZS 1576.5:1995, AS/NZS 1576.3:1995 Tower.

