

## HANDRAILS

### Single Handrails Using Swaybraces

A Handrail must be locked into place using an Adjustable Sway brace and 2 Lobands to comply with regulations as shown in Fig B.

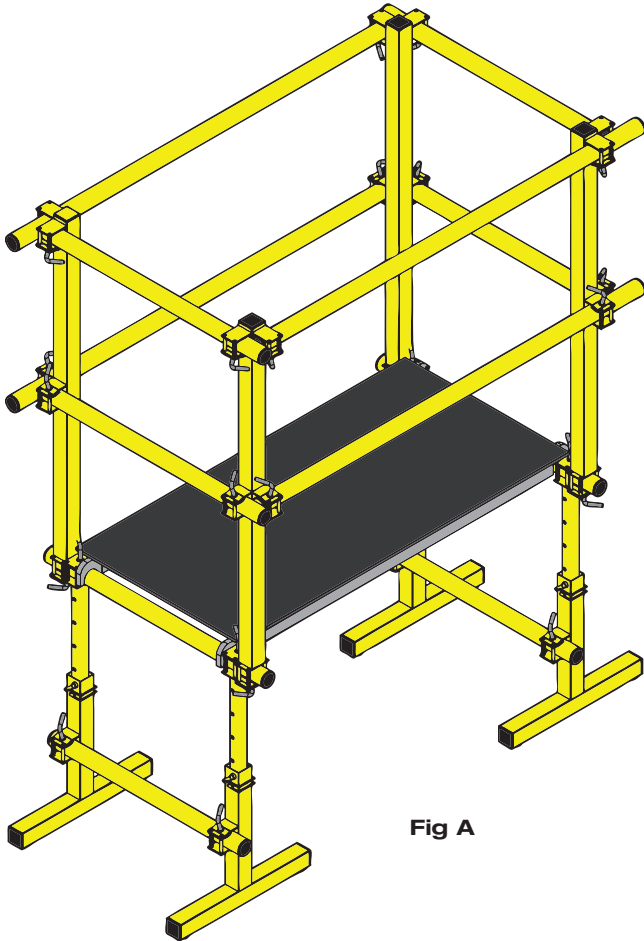


Fig A

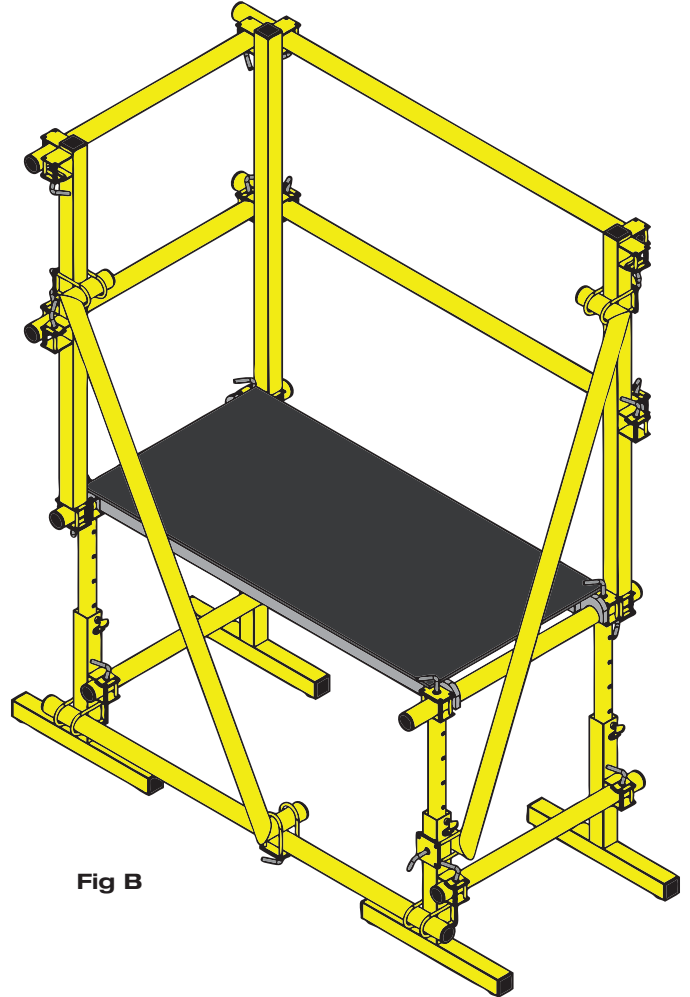
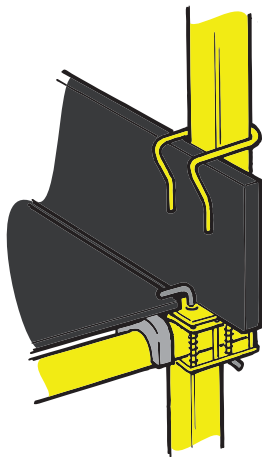


Fig B

HAND TIGHT MEANS  
5 Nm / 45 Inch-lbs

Single toe board



## TOE BOARDS & TOE BOARD ADAPTOR

A four sided toe board is located onto the Loboard using the locating lugs on the corner hinges to ensure it is fitted correctly.

A single piece toe board can be positioned anywhere, and held in place using toe board clips on handrail posts or toe board adaptor.