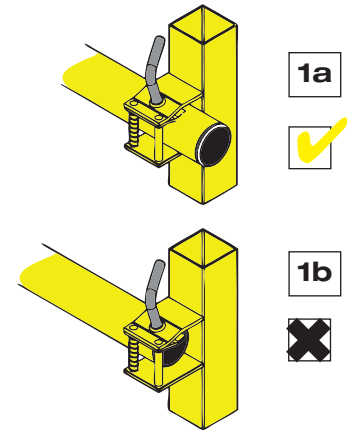


The LOBO System Side Clamp

The side clamp refers to any clamp located on the front face of any LOBO System component. Ensure that the L-Bolt is fully tightened during assembly.

Fig 1a: Shows the correct use of the LOBO System side clamp. You must ensure that the tube is level with the end of the side clamp or protruding at least through the side clamp. You must pay particular attention to ensure that the tube itself is level with the edge of the side clamp and not the end caps as this would mean that the tube itself is 5mm short of being flush with the edge.

Fig 1b: Clearly shows that the tube is not fully inserted into the side clamp and this is not acceptable under any circumstances.

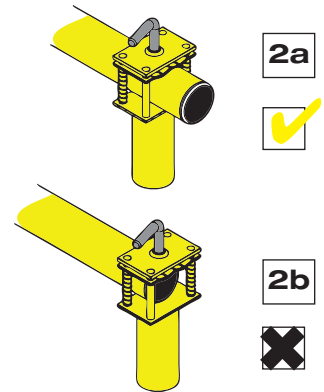


The LOBO System Top Clamp

The top clamp refers to any clamp located on the top of the leg inserts of any LOBO System component. Ensure that the L-Bolt is fully tightened during assembly.

Fig 2a: Shows the correct use of the LOBO System top clamp. You must ensure that the tube is level with the end of the top clamp or protruding at least through the top clamp. You must pay particular attention to ensure that the tube itself is level with the edge of the top clamp and not the end cap as this would mean that the tube itself is 5mm short of being flush with the edge.

Fig 2b: Clearly shows that the tube is not fully inserted into the top clamp and this is not acceptable under any circumstances.

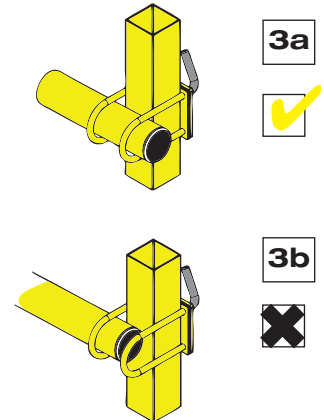


The LOBO System Loband

The Loband is available with a round (LC1) or square (LC3) end. These instructions apply to both varieties. Ensure that the L-Bolt is fully tightened during assembly.

Fig 3a: Shows the correct use of the LOBO System Loband clamp. You must ensure that the tube is protruding a minimum of 5mm through the Loband clamp to ensure a safe and strong fit and to prevent damage to the end cap.

Fig 3b: Clearly shows that the tube is not fully inserted into the Loband clamp and this is not acceptable under any circumstances.



The LOBO System Ladder Clamp

The LOBO Ladder clamp must only be used to secure a ladder and has no other uses on the LOBO System. Ensure that the L-Bolt is fully tightened during assembly.

Fig 4a: Shows the correct use of the LOBO Ladder clamp. You must ensure at least 2 ladder clamps are used per ladder.

Fig 4b: Clearly shows no ladder clamps in use and this is not acceptable under any circumstances.

Fig 4c: Clearly shows only one ladder clamp in use and this is not acceptable under any circumstances.

