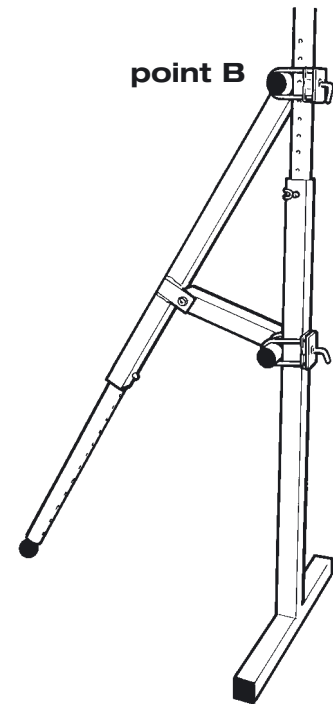
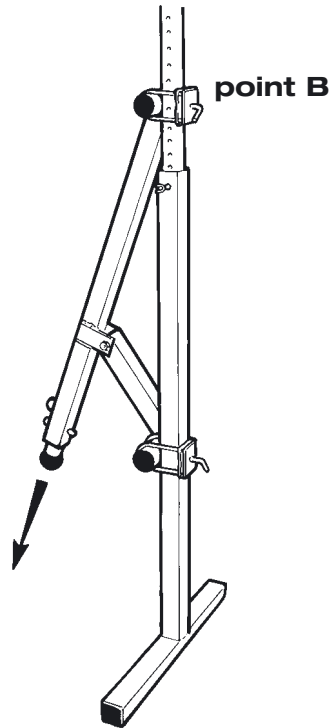
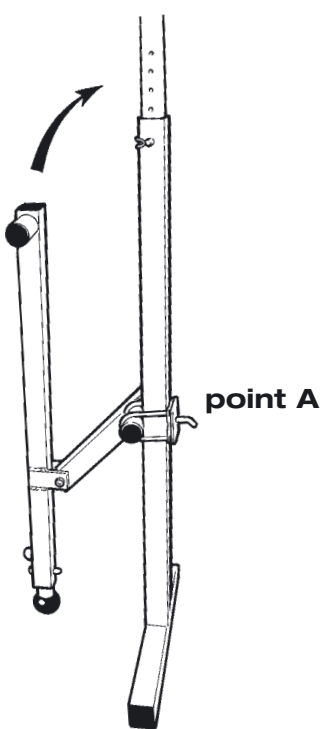


OUTRIGGERS

1. Position the outrigger in line with the trestle leg and then clamp the cross brace to the leg (point A) using a Loband.
2. Lift the outrigger and using the Loband, clamp at point B.
3. Remove the locating pin at the bottom of the outrigger and extend the outrigger insert to the ground. Secure in this position with the locating pin.
4. Loosen the Loband at point B and adjust the outrigger down until the outrigger cross brace is at 90° to the support leg.
5. Fully tighten both Lobands and the thumb screw.



SAFE WORKING LOAD
550lbs / 250kgs

HAND TIGHT MEANS
5 Nm / 45 Inch-lbs